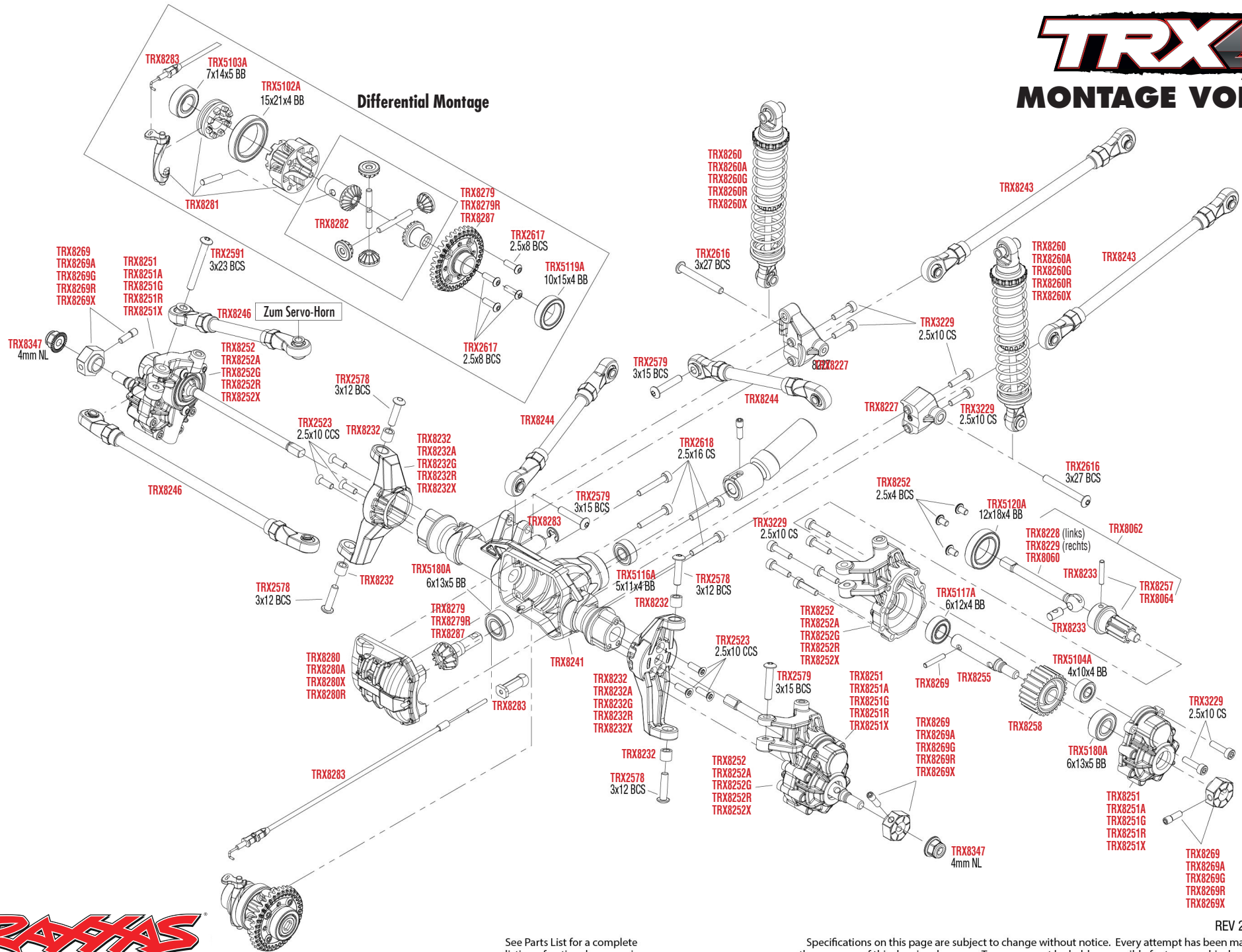


TRX4

MONTAGE VORNE

Differential Montage

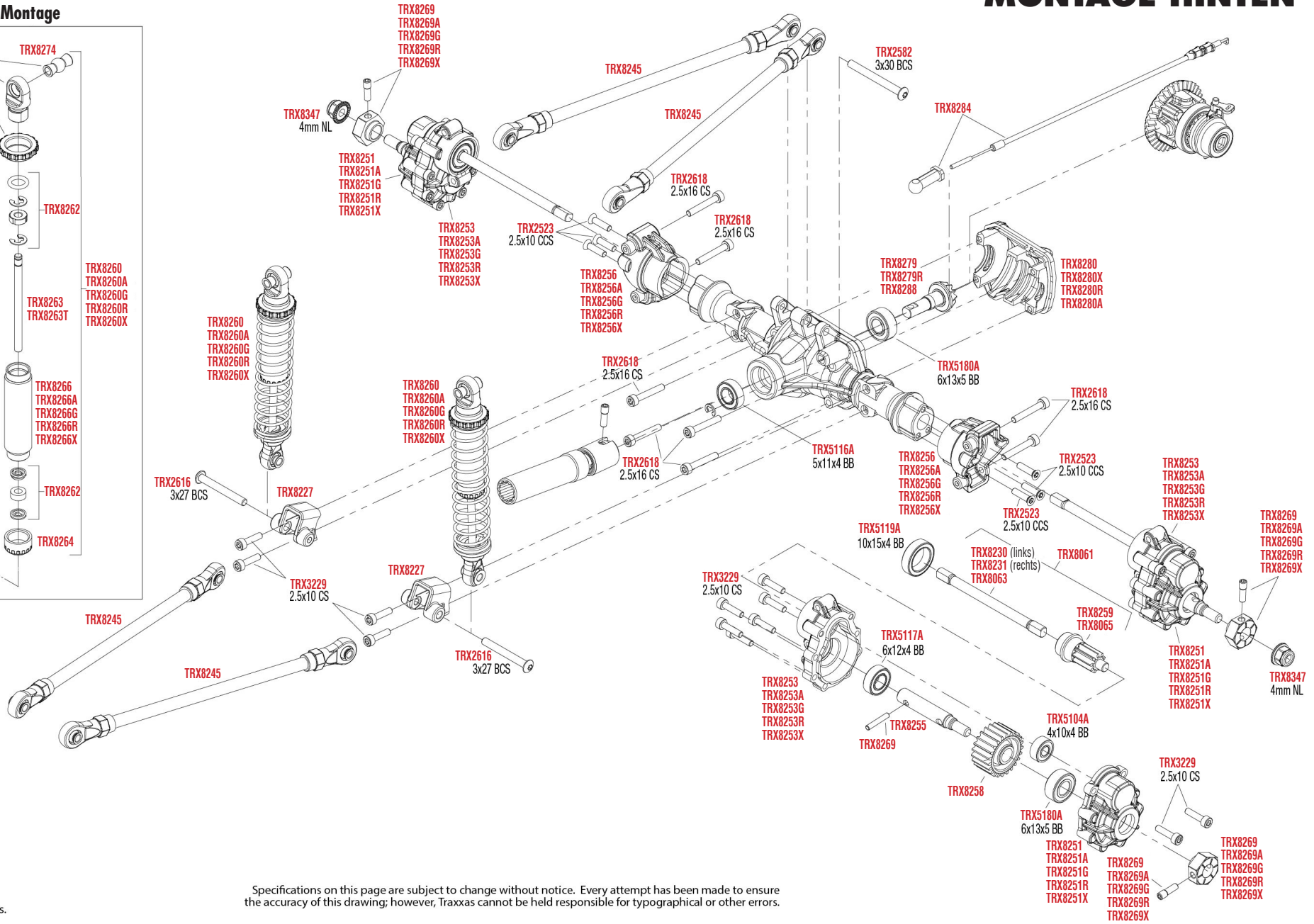
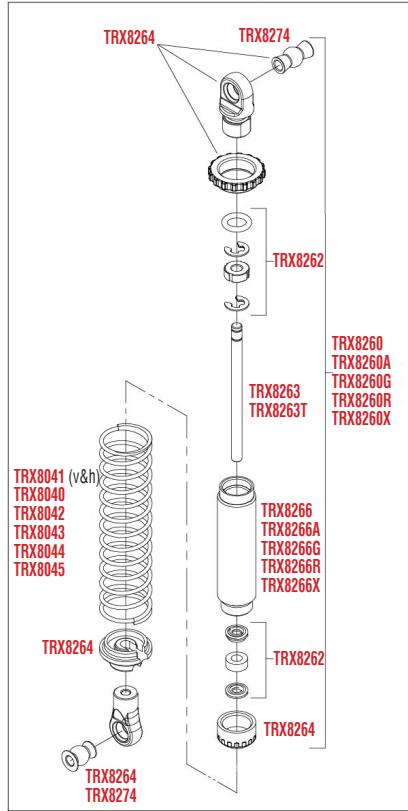


See Parts List for a complete listing of optional accessories.

Specifications on this page are subject to change without notice. Every attempt has been made to ensure the accuracy of this drawing; however, Traxxas cannot be held responsible for typographical or other errors.

REV 210706-R02

Dämpfer Montage



REV 210706-R02
 See Parts List for a complete listing of optional accessories.

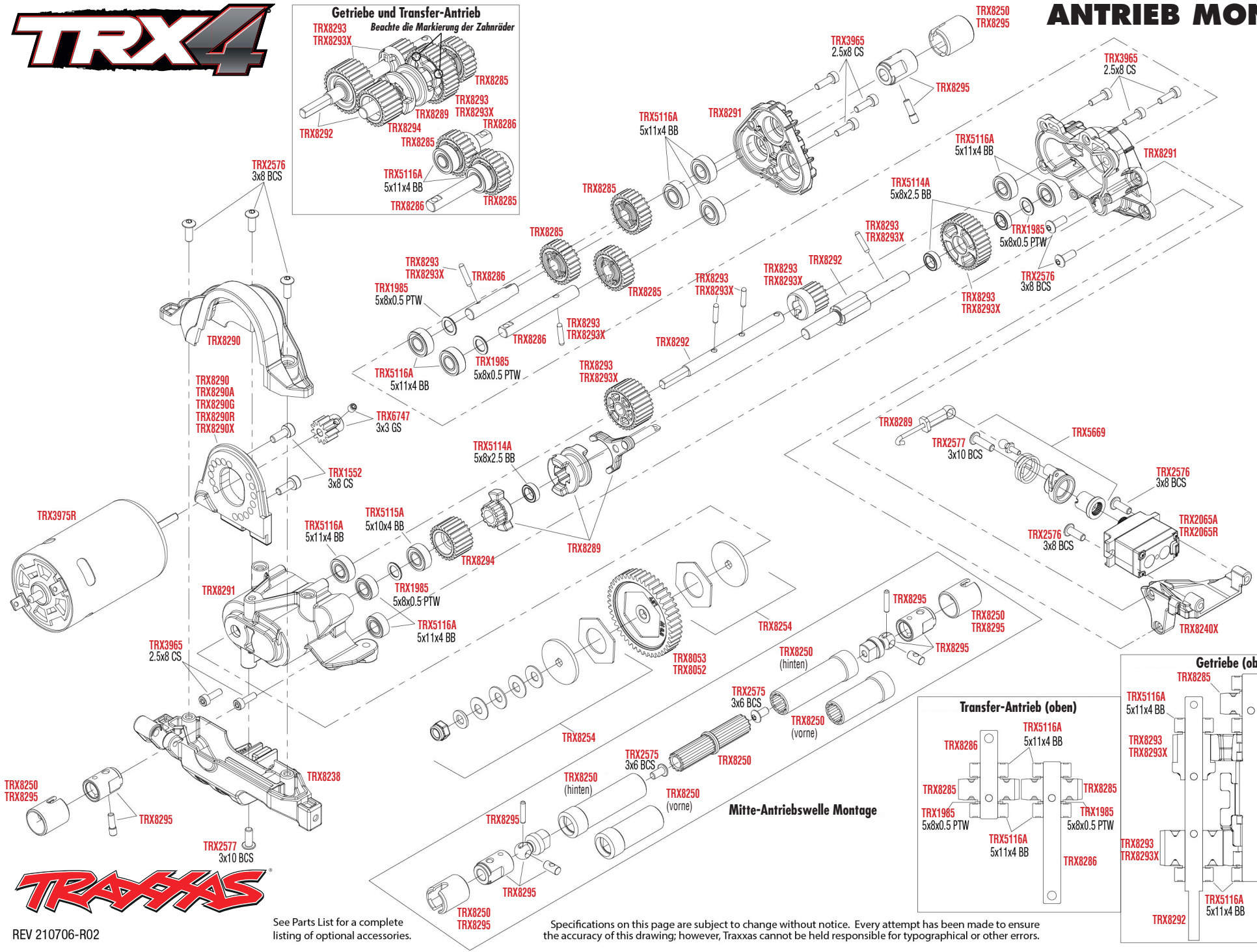
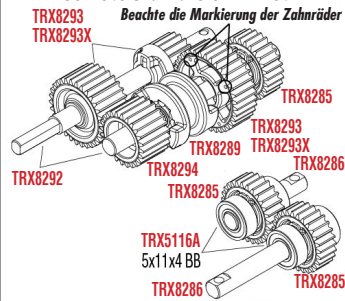
Specifications on this page are subject to change without notice. Every attempt has been made to ensure the accuracy of this drawing; however, Traxxas cannot be held responsible for typographical or other errors.



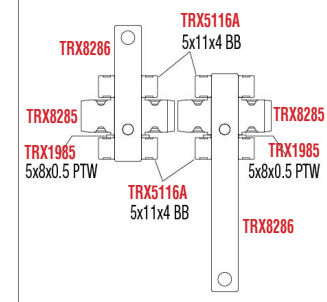
ANTRIEB MONTAGE

Getriebe und Transfer-Antrieb

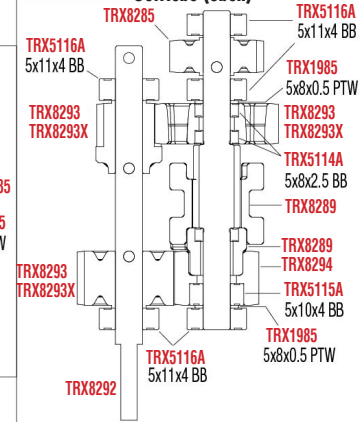
Beachte die Markierung der Zahnräder



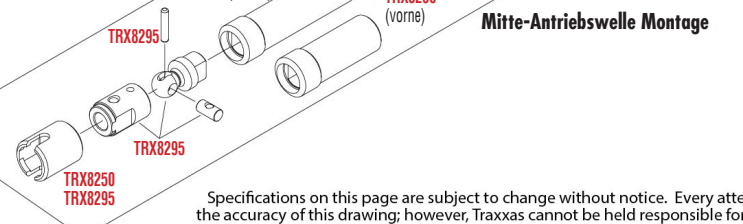
Transfer-Antrieb (oben)



Getriebe (oben)



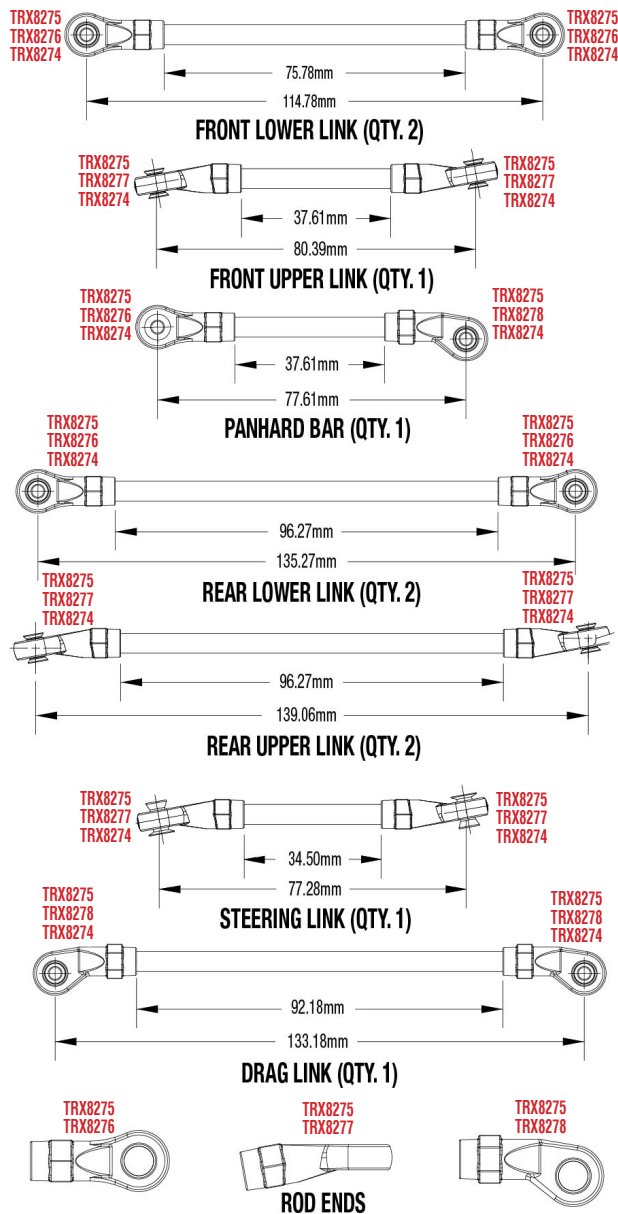
Mitte-Antriebswelle Montage



See Parts List for a complete listing of optional accessories.

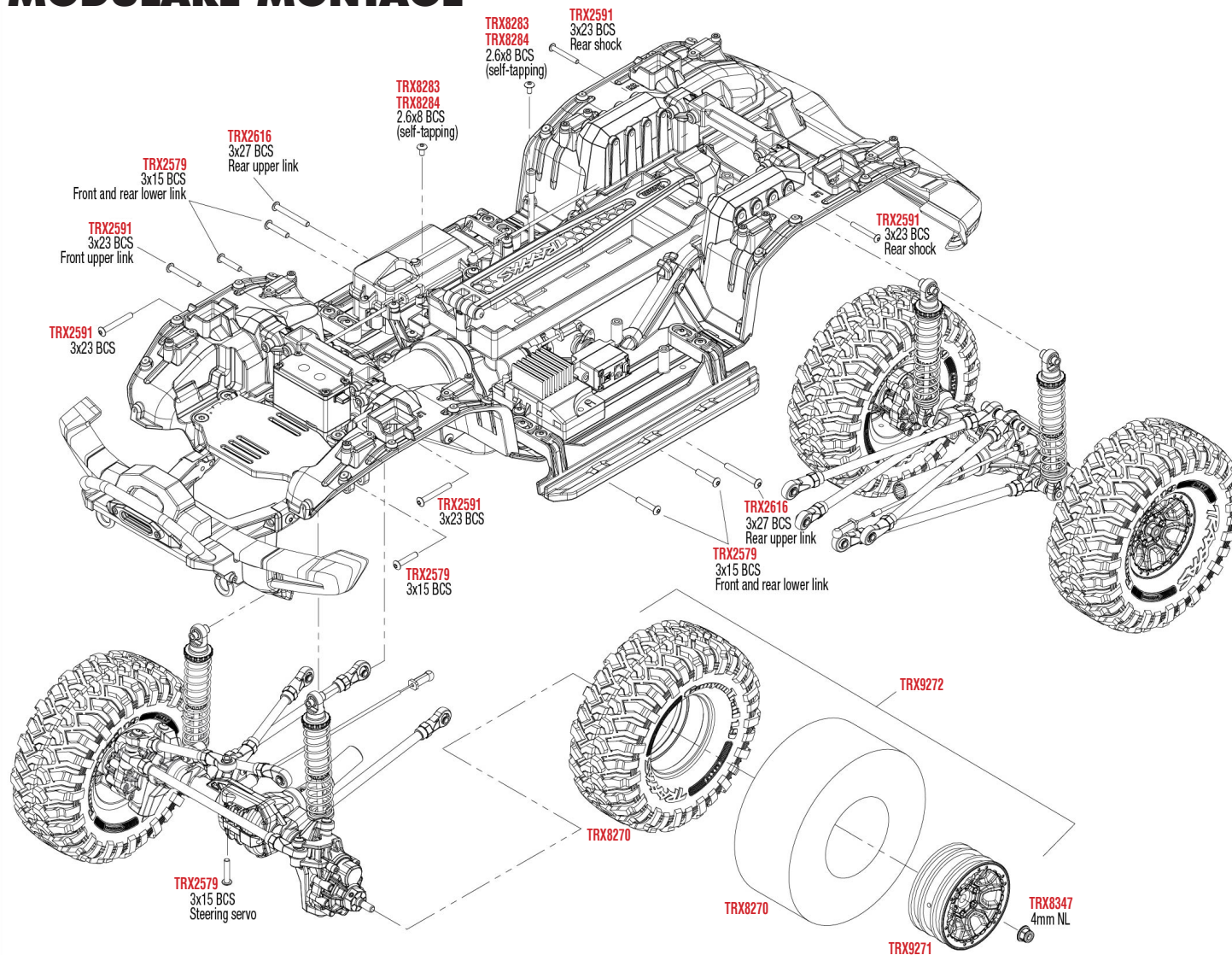
Specifications on this page are subject to change without notice. Every attempt has been made to ensure the accuracy of this drawing; however, Traxxas cannot be held responsible for typographical or other errors.

Link Abmessungen



Für Standard Kugeln Ersatz verwenden Sie bitte ArtNr. TRX5349.

MODULARE MONTAGE



See Parts List for a complete listing of optional accessories.

Specifications on this page are subject to change without notice. Every attempt has been made to ensure the accuracy of this drawing; however, Traxxas cannot be held responsible for typographical or other errors.

