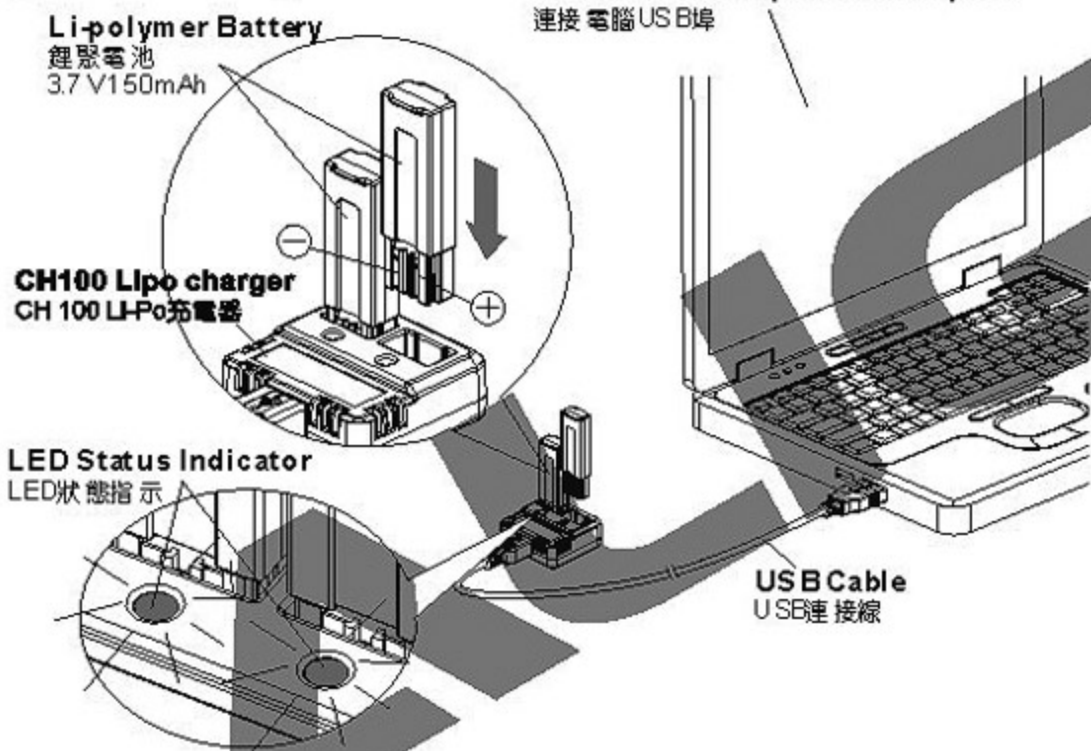


Using the CH100 Lipo battery charger to charge helicopter battery 使用CH100 Li-Po 充電器充直昇機電池

Method 1 方式一



CH100 provides two independent charging receptacles to enable charge of lipo batteries individually or concurrently. The charger can be powered via two power source; either connecting to the USB port on a computer, or connecting to a third party USB power supply from a cell phone.

CH100提供2組獨立的充電插槽，可同時或個別進行鋰聚電池的充電，充電器的電源供應有2種方式，一種為透過USB線由電腦USB埠供應電源，另一種為使用一般市售的USB埠手機座充供電。



For safety concerns, battery charging must be done under supervision at all times. 為確保安全，充電時務必在視線範圍內進行。

Avoid shortening the metal contacts in charger receptacles, as it may lead to internal damage of charger. 勿使金屬物品碰觸到充電器內的電極彈片，以免造成充電器的損壞。

LED Indicator LED 表示

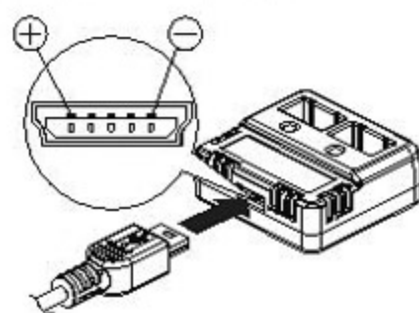
Green 綠燈	Red 紅燈
Idle and Charge Completion 待機狀態與充電完成	Charging 充電中

Charger Specifications CH100 充電器規格

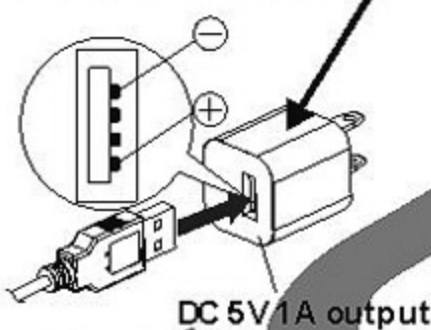
Input 輸入	Charging Current 充電電流	Full Voltage 充電電壓
DC 5V 1A	500mA x 2 sets 組	4.2±0.03V

Method 2 方式二

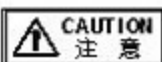
Polarity of Mini USB of the charger 充電器Mini USB的極性



Polarity of the USB power supply USB電源供應器的極性



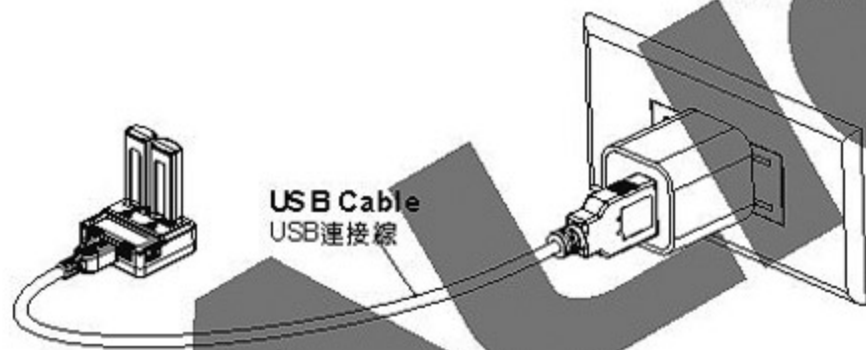
Self provided USB power supply 請自備USB埠的電源供應器



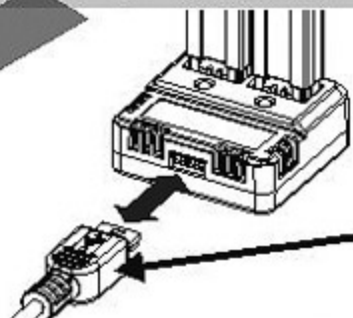
Specification of the USB power supply: Output voltage DV 5V, Output current 1A or higher. 關於電源供應器的規格需求：電壓輸出DC5V 電流輸出1A以上。

Examples of suitable power supply include: iPhone, travel charger for HTC phones, or commonly available USB power supply for cell phones, MP3 players, or PDA.

可使用的電源供應器例如：iPhone、HTC的手機旅充、或一般市售提供給手機、MP3、PDA等產品用的電源供應器。



Battery Detection Function 電池的偵測功能



After battery is inserted into receptacle, the charger can be forced to re-detect the battery's voltage by pulling /re-inserting the USB plug, allowing the battery to be re-peaked.

電池插入後，重新插拔USB插頭，可使充電器重新偵測電池電壓，並將電池補充至完全充電的狀態。