

AG-300 FPV GOGGLE

AG-300 FPV 視頻眼鏡

INSTRUCTION MANUAL

使用說明書

(HEMFPV01T)

ALIGN



Thank you for purchasing of Align products. Please read the manual carefully before installing and be sure to retain the manual for future reference.

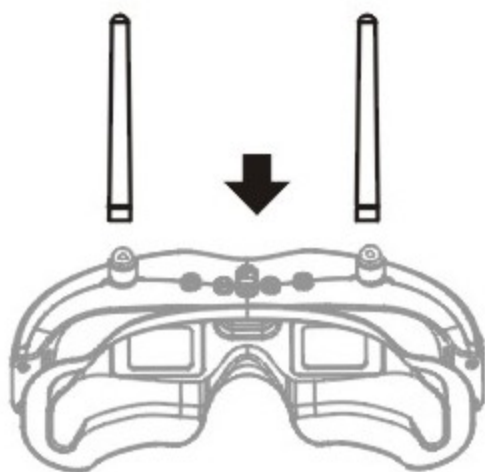
承蒙閣下選用亞拓遙控世界系列產品，謹表謝意。使用前請仔細閱讀，並妥善保管本說明書，以作為日後參考。

ASSEMBLY 組裝說明

Step.1 步驟.1

Install Antenna

安裝天線



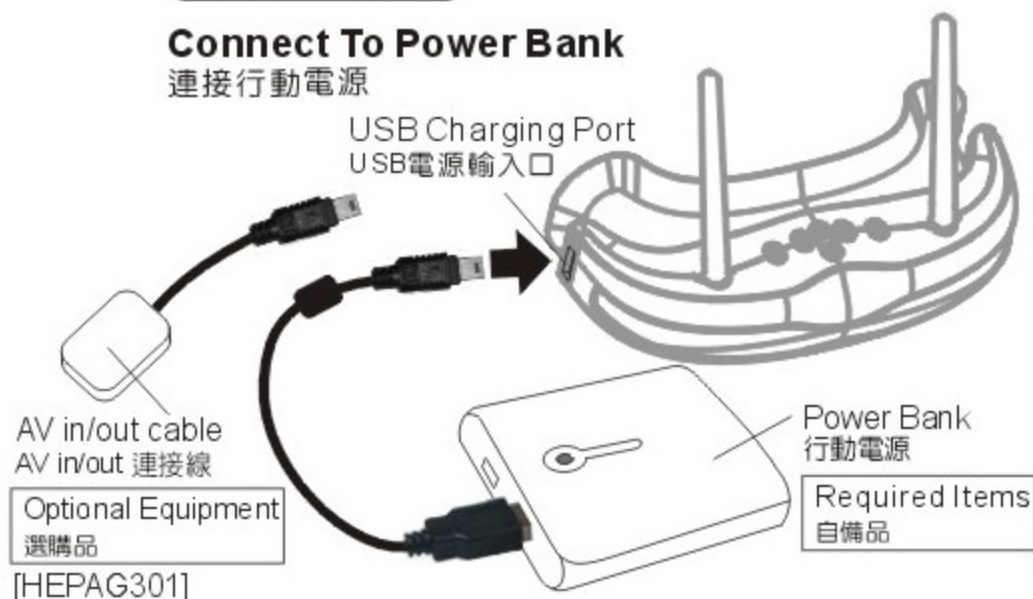
Install Antenna Can be installed with RP-SMA directional or omni antenna.

安裝與RP-SMA配套的定向或全向天線。

Step.2 步驟.2

Connect To Power Bank

連接行動電源



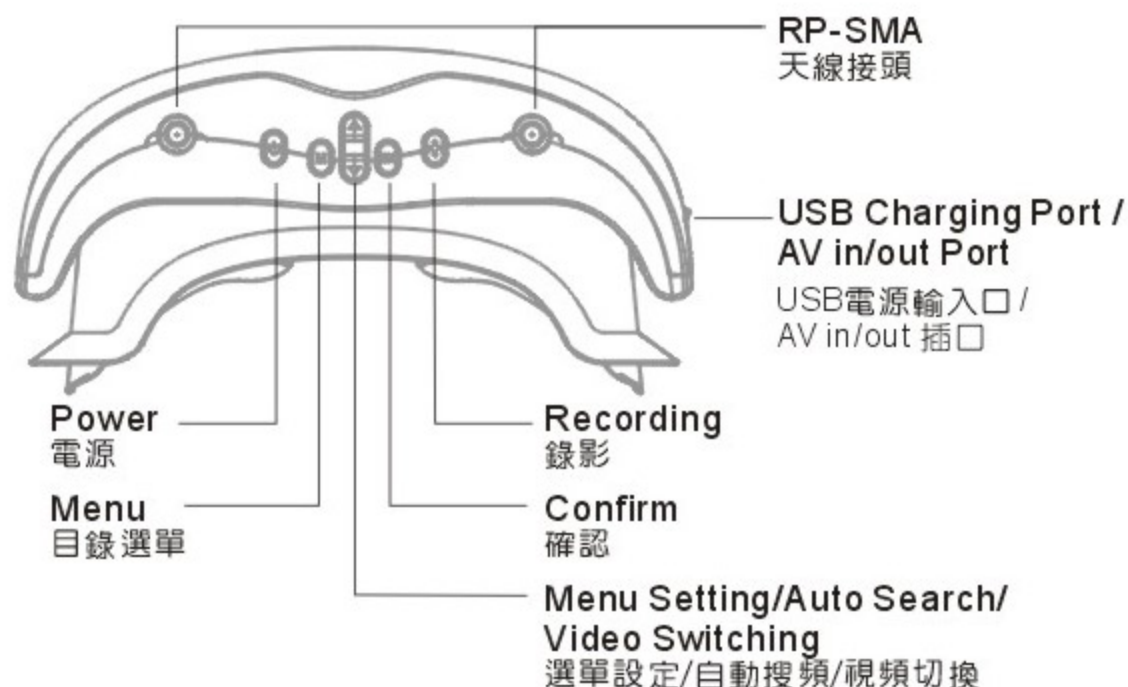
Power Supply: Power Bank
Power Output: DC 5.0V/1A
Capacity: more than 2,000mAh

電池使用：行動電源
電源輸出：DC5.0V/1A
建議容量：2,000mAh以上

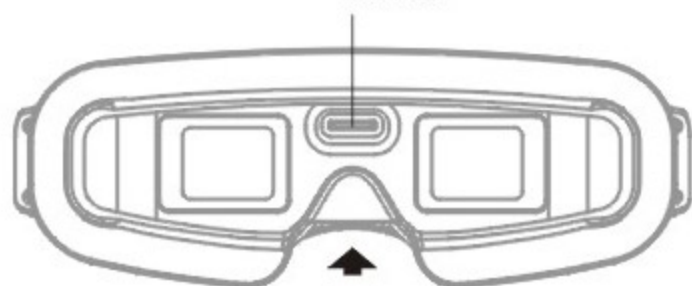
Connect the USB cable to the power bank and FPV goggle charging port.

將行動電源的充電端接上USB線，連接到FPV視頻眼鏡。

BUTTON MENU FEATURES 按鈕選單功能介紹



Micro SD Card Port
Micro SD讀卡槽



Required Items
自備品

Micro SD Card Up to 32GB
Micro SD卡最大容量支援到32GB



For nearsighted pilots with 4.0 diopters and more, recommend to wear glasses with smaller frame for the Goggle.

若近視超過400度以上者，建議配戴鏡框較小之近視眼鏡即可直接使用。

OPERATION INTRODUCTION 操作說明

1. Power On / Off :

When finishing the steps above, short press power button, the screen light on, then power on; Long press power button above 3sec., the screen extinguishes, then power off.

電源開關：

輕按開關，螢幕亮起完成開機；長按開關3秒，螢幕關閉即關機。

2. Searching Frequency :

a. When power on, receiving images by auto search or manually set frequency. Auto.

Search: long press "OK" button, the system starts to search frequency automatically, and then it will hint "save the channel or not" after finding the frequency.

b. Short press "M" button to save it. Long press "OK" button again, the system starts to search frequency again.

自動搜頻：

a. 長按OK鍵，系統自動搜尋頻道；當收到頻道後，系統會提示"是否保存頻道"。

b. 輕按M鍵可儲存頻道，長按OK鍵則繼續搜頻。

3. Menu Settings : Long press "M" button to enter into Menu setting, short press "OK" button to confirm modify or not; Short press "up" and "down" button to choose which need to modify, press "OK" button to confirm; long press "M" button to exit.

目錄選單：長按3秒彈出設置目錄選單或退出目錄選單，輕按OK鍵確認是否修改，選擇上下鍵調整需要的內容，按OK鍵。

- Frequency
頻道調整
- OSD
OSD介面開關
- Video System
視頻格式調整
- Lightness
螢幕亮度調整
- Contrast
螢幕對比調整
- Saturation
螢幕彩度調整

Setting	
Frequency	A5 5785
OSD	On
Video System	NTSC
Lightness	0
Contrast	-25
Saturation	25

4. Video Switching :

- a. Short press upward button, the system will switch between two receivers and AV in, cycling in R1-R2-AV in
- b. Click downward button, choose to switch receiver automatically (meanwhile the system will choose the receiver with best signal) or switch receiver manually.

視頻切換：

- a. 短按OK鍵，系統會在兩個接收機和AV IN間切換，R1-R2-AV IN迴圈
- b. 長按OK鍵，可以選擇自動切換接收機（系統會選擇接收信號最好的接收器）或手動切換接收器。



When the signal is weak, auto search cannot search the frequency accurately, so recommending to switch to manual search.

在信號較弱時，自動搜頻可能會無法準確搜索到頻道，建議進行手動搜頻。

5. Recording : Install Micro SD Card Insert the Micro SD Card to the slot. (Required Items / Up to 32GB). Click recording button, the system starts to record, the preview interface appears recording icon and recording time.

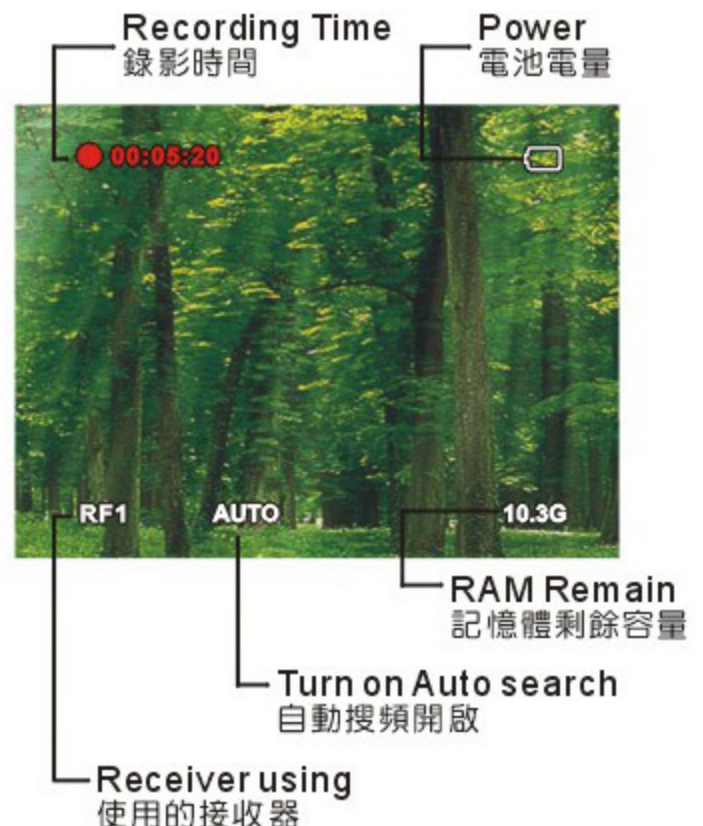
錄影功能：

將Micro SD卡(自備品，最大容量支援到32GB)插入讀卡槽後，輕按錄影鍵，系統開始錄製。輕按錄影鍵即開始錄製，預覽畫面左上角會出現錄影紅點、錄影圖示及錄影時間。



Please confirm the system of camera in advance before connecting then switch the device to the same system manually. The defaults to system NTSC. If using Align MR25 FPV, please adjust to PAL format.

FPV視頻眼鏡，出廠錄影格式預設為NTSC，搭配MR25穿越機使用時，請調整為PAL格式。



OPERATION INTRODUCTION 操作說明

6. Replay : Short press "OK" button, enter into replay mode. Choose the files with the left and right button, short press "OK" button to replay; Meanwhile, use up or down button to control fast backward and fast forward; or press "OK" button to pause, long press "M" button to exit.

播放：輕按OK鍵，進入播放模式，透過按鈕上下鍵選擇要播放的視頻播放儲存在Micro SD卡中的視頻，點選要播放的視頻，再按一下OK鍵即可觀賞影片，長按OK鍵可退出播放模式。

自動搜頻：長按OK鍵，系統自動搜尋頻道；當收到頻道後，系統會提示"是否保存頻道"，輕按M鍵可保存完成搜頻，若要繼續蒐頻則再長按OK鍵重新搜頻。

SPECIFICATION & EQUIPMENT 規格配備

AG-300 FPV Goggle AG-300視頻眼鏡

Dimension 尺寸	172mmX88mmX60mm	Weight 重量	approx. 142g
-----------------	-----------------	--------------	--------------

Display 顯示器

Resolution 解析度	854*480 (WVGA)
Lightness 亮度	Adjustable 可調
Contrast 對比度	Adjustable 可調
Saturation 飽和度	Adjustable 可調
View Angle 可視角度	30° (Horizontal) 30度 (水平)

AG-300 Recording AG-300影像紀錄

Video 視頻	640x320 (30FPS)
Storage 儲存	Micro SD Card (up to 32GB) Micro SD卡(最大容量支援到32GB)
Power 電源	DC 5V/1A
Power Consumption 功耗	950 mA @5V (Maximum) 950 mA @5V (最大)
Operating Temperature 工作溫度	-10°C ~ +65 °C

Receiver 接收器

Antenna Port 天線端口	RP-SMA
Frequency 頻道	5.8G Dual diversity input, 32channel can be chosen, auto switch to the best signal channel 2路5.8G輸入，共32頻可選；自動切換到信號較好之頻道
Auto Search 自動搜頻	Yes 支援